

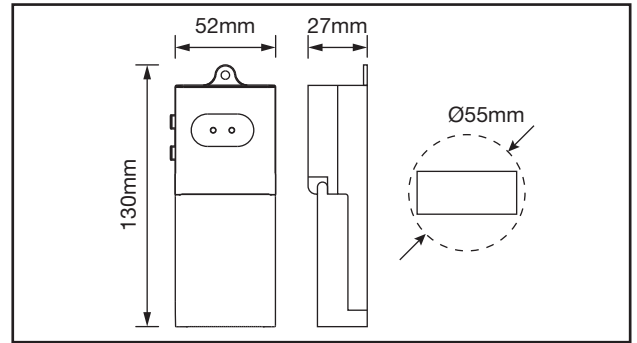
AiQ/RLY400B/LN

Smart-E - Relay Live/Neutral
Smart Junction Box



PRODUCT FEATURES

- Zigbee Hop & Mesh Technology*
- Compatible With Amazon Alexa†
- Works With Existing Wiring
- Retrofit Solution
- Designed To Replace The Traditional Junction Box
- Fits Through A 55mm Cut Out
- Works With A Normal Light Switch (AC Mains)
- User Friendly Reset & Programming From Light Switch
- Open Platform Shares Compatibility With 3rd Party Items
- No Minimum Load Requirement
- Can Be Used Independently Or In Conjunction With A Smart Hub



TECHNICAL SPECIFICATIONS

PRODUCT CODE	AiQ/RLY400B/LN
Operating Voltage (V)	100-240VAC
Input Current (A)	1.78A
Max Output Power (W)	400W (Halogen); 250W (LED)
Output Current (Max)	1.8A max
Output Voltage (Max)	100-240VAC
Power Factor	0.99
Efficiency %	94%
Network Standby Power (W)	0.1W
Class	II
Body Material	White Polymer
Ingress Protection	IP20
Ambient Operating Temperature (°C)	-20°C ~ +50°C
Guarantee	5 Years
Minimum Load	<1W



*Zigbee Hub Required for Smart Functionality
†Hub Choice May Affect Product Functionality